

DS-KIS702

Video Intercom Two-Wire Network Bundle

HIKVISION



Key Feature

- Plug & play two-wire and IP based video intercom kit
- User-friendly and hands-free indoor monitor with 7-inch touch screen
- Metal outdoor panel, waterproof, IP65 rating
- 2 Mega Pixel HD fisheye camera with night vision and 180° wide viewing angle
- Receives video call on mobile App anywhere, anytime
- Supports live view of up to 16 IP cameras (ONVIF compatible)

Approval

Indoor Station

CE-EMC	a. EN 55032:2015 b. EN 61000-3-2:2014 c. EN 61000-3-3:2013 d. EN 50130-4:2011 +A1:2014
CE-LVD	EN 60950-1:2006 + A11:2009 + A1:2010 + A12:2011 + A2:2013
CE-RED	a. EN 201 489-1 V2.1.1, EN 301 489-17 V3.1.1 b. EN 300 328 V2.1.1, EN 62311:2008
CB	IEC 60950-1:2005 (Second Edition) + Am 1:2009 + Am 2:2013
FCC-SDOC	47 CFR Part 15, Subpart B
FCC-ID	a. 47 CFR Part 15, Subpart C
C-TICK(EMC)	AS/NZS CISPR 32:2015
UL	UL 60950-1 & CAN/CSA C22.2 No. 60950-1-07, Information Technology Equipment – Safety – Part 1: General Requirements
IC (EMC)	a. ICES-003:Issue 6
ROHS	2011/65/EU
REACH	Regulation (EC) No 1907/2006
WEEE	2012/19/EU

Door Station

CE-EMC	a. EN 55032:2015 b. EN 61000-3-2:2014 c. EN 61000-3-3:2013 d. EN 50130-4:2011 +A1:2014
CE-LVD	EN 60950-1:2006 + A11:2009 + A1:2010 + A12:2011 + A2:2013
CB	IEC 60950-1:2005 (Second Edition) + Am 1:2009 + Am 2:2013
FCC-SDOC	47 CFR Part 15, Subpart B
C-TICK(EMC)	AS/NZS CISPR 32:2015
UL	UL 60950-1 & CAN/CSA C22.2 No. 60950-1-07, Information Technology Equipment – Safety – Part 1: General Requirements
ROHS	2011/65/EU
REACH	Regulation (EC) No 1907/2006
WEEE	2012/19/EU

Video Audio Distributor

CE-EMC	a. EN 55032:2015 b. EN 61000-3-2:2014 c. EN 61000-3-3:2013 d. EN 50130-4:2011 +A1:2014
CE-LVD	EN 60950-1:2006 + A11:2009 + A1:2010 + A12:2011 + A2:2013
CE-RED	a. EN 201 489-1 V2.1.1, EN 301 489-17 V3.1.1 b. EN 300 328 V2.1.1, EN 62311:2008
CB	IEC 60950-1:2005 (Second Edition) + Am 1:2009 + Am 2:2013

FCC-SDOC	47 CFR Part 15, Subpart B
FCC-ID	a. 47 CFR Part 15, Subpart C
C-TICK(EMC)	AS/NZS CISPR 32:2015
UL	UL 60950-1 & CAN/CSA C22.2 No. 60950-1-07, Information Technology Equipment – Safety – Part 1: General Requirements
IC (EMC)	a. ICES-003:Issue 6
ROHS	2011/65/EU
REACH	Regulation (EC) No 1907/2006
WEEE	2012/19/EU

Specification

Indoor Station	
System parameters	
Operation system	Embedded Linux operation system
Processor basic frequency	1 GHz
Memory	128 MB
Flash	16 MB
Display parameters	
Display screen	7-inch TFT LCD
Display resolution	1024 × 600
Operation method	Capacitive touch
Audio parameters	
Audio input	Built-in omnidirectional microphone
Audio output	Built-in loudspeaker
Volume	Local or software control
Audio compression standard	G.711 U, G.711 A
Audio compression Rate	64 Kbps
Audio quality	Noise suppression and echo cancellation
Network parameters	
Wired network	Two-wire network
Wireless network	Wi-Fi 802.11b/g/n
Protocol	TCP/IP, SIP, RTSP
Interfaces	
Network interface	Two-wire interface
RS-485	1
Alarm input	8 zones alarm input
Relay output	2
TF card	Support, Max. 32 GB
Extended Application	
Mobile client	Support
Indoor call elevator	Support
IPC	Support
General	
Power supply mode	Two-wire
Power consumption	≤ 6 W
Working temperature	-10 °C to 50 °C (14 °F to 122 °F)
Working humidity	10% to 90%
Dimensions (W × H × D)	200 mm × 140 mm × 15.1 mm (7.87" × 5.51" × 0.59")

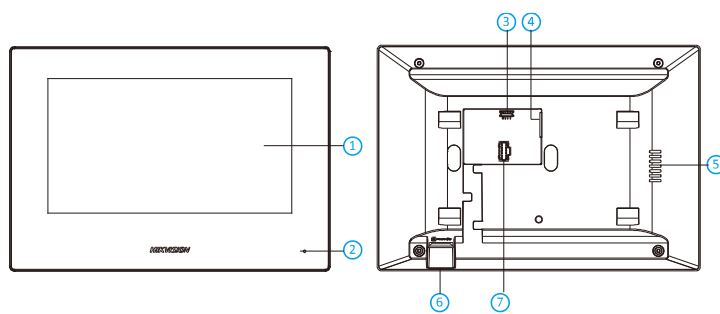
Door Station

System parameters	
Processor	Embedded microcontroller
Operation system	Embedded Linux operation system
Operation mode	One touch key
Video Parameters	
Camera	2MP super definition camera
Night vision	Support low light and IR light supplement mode
Backlight compensation	Support
Digital noise reduction	Support
WDR	True WDR
Field of view	Horizontal 180°, vertical 96°
Video Compression Standard	H.264
Stream	Main stream: 1080p@30fps, 720p@30fps (configurable); sub stream: D1
Resolution	Main stream: 1920 × 1080, (720p configurable); sub stream: 720 × 480
Motion detection	Support
Flash-avoid frequency	50 Hz, 60 Hz
Audio parameters	
Audio input	Built-in omnidirectional microphone
Audio intercom	Full-duplex two-way audio intercom
Audio output	Loudspeaker, 20 cm sound effect > 80 db
Audio compression standard	G.711 U
Audio compression Rate	64 Kbps
Audio quality	Noise suppression and echo cancellation
Tamper	
Tamper	1
Interfaces	
RS-485	1 (inter-module connection)
Alarm input	1
General	
Protection level	IP 65
Button	1
Power input	24 VDC two-wire power supply (< 16 W)
Working temperature	-40 °C to 60 °C (-40 °F to 140 °F)
Working humidity	10% to 90%
Installation	Wall mounting

Video Audio Distributor

Interfaces	
Network interface	1 RJ45
Two-wire interface	4
Signal indicator	4
Power indicator	1
Reset	1
General	
Power supply	Two-wire mode
Power consumption	CH1 to CH3 < 6 W, CH4 < 8 W
Working temperature	-10 °C to +50 °C (14 °F to +122 °F)
Working humidity	10% to 90%
Digital noise reduction	Support

Indoor Station



No.	Description	No.	Description
1	Screen	5	Loudspeaker
2	Microphone	6	TF Card Slot
3	Debugging Port	7	Terminals
4	Network Interface and Power Supply		

Available Model

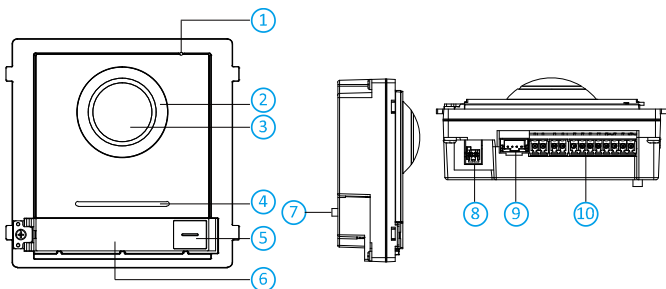
DS-KIS702

Weight

1.9642Kg

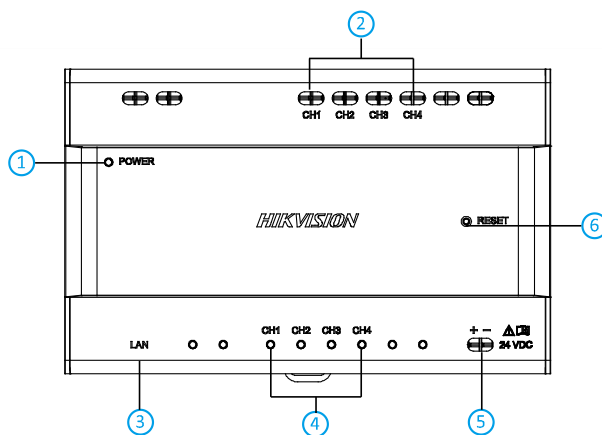
Appearance and Interfaces

Door Station



No.	Description	No.	Description
1	Microphone	6	Nametag
2	Low Illumination IR Supplement Light	7	TAMPER
3	Built-in Camera	8	Two-wire Interface
4	Loudspeaker	9	Module-connecting Interface (output)
5	Call Button	10	Terminals

Video Audio Distributor



No.	Description	No.	Description
1	Power Indicator	4	Network Indicator
2	Terminals	5	Power Input
3	LAN	6	Reset

Distributed by



HIKVISION®

Headquarters

No.555 Qianmo Road, Binjiang District,
Hangzhou 310051, China
T +86-571-8807-5998
overseasbusiness@hikvision.com

Hikvision USA
T +1-909-895-0400
sales.usa@hikvision.com

Hikvision Australia
T +61-2-8599-4233
salesau@hikvision.com

Hikvision India
T +91-22-28469900
sales@pramahikvision.com

Hikvision Canada
T +1-866-200-6690
sales.canada@hikvision.com

Hikvision Thailand
T +662-275-9949
sales.thailand@hikvision.com

Hikvision Europe
T +31-23-5542770
sales.eu@hikvision.com

Hikvision Italy
T +39-0438-6902
info.it@hikvision.com

Hikvision Brazil
T +55 11 3318-0050
Latam.support@hikvision.com

Hikvision Turkey
T +90 (216)521 7070- 7074
sales.tr@hikvision.com

Hikvision Malaysia
T +601-7652-2413
sales.my@hikvision.com

Hikvision UK & Ireland
T +01628-902140
sales.uk@hikvision.com

Hikvision South Africa
Tel: +27 (10) 0351172
sale.africa@hikvision.com

Hikvision France
T +33(0)1-85-330-450
info.fr@hikvision.com

Hikvision Kazakhstan
T +7-727-9730667
nikia.panfilov@hikvision.ru

Hikvision Vietnam
T +84-974270888
sales.vt@hikvision.com

Hikvision UAE
T +971-4-4432090
salesme@hikvision.com

Hikvision Singapore
T +65-6684-4718
sg@hikvision.com

Hikvision Spain
T +34-91-737-16-55
info.es@hikvision.com

Hikvision Tashkent
T +99-87-1238-9438
uzb@hikvision.ru

Hikvision Hong Kong
T +852-2151-1761
info.hk@hikvision.com

Hikvision Russia
T +7-495-669-67-99
saleru@hikvision.com

Hikvision Korea
T +82-(0)31-731-8817
sales.korea@hikvision.com

Hikvision Poland
T +48-22-460-01-50
info.pl@hikvision.com

Hikvision Indonesia
T +62-21-2933759
Sales.Indonesia@hikvision.com

Hikvision Colombia
sales.colombia@hikvision.com